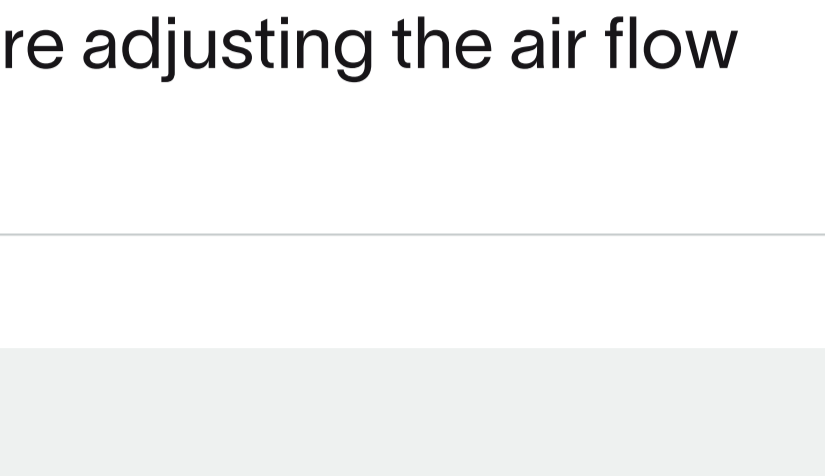
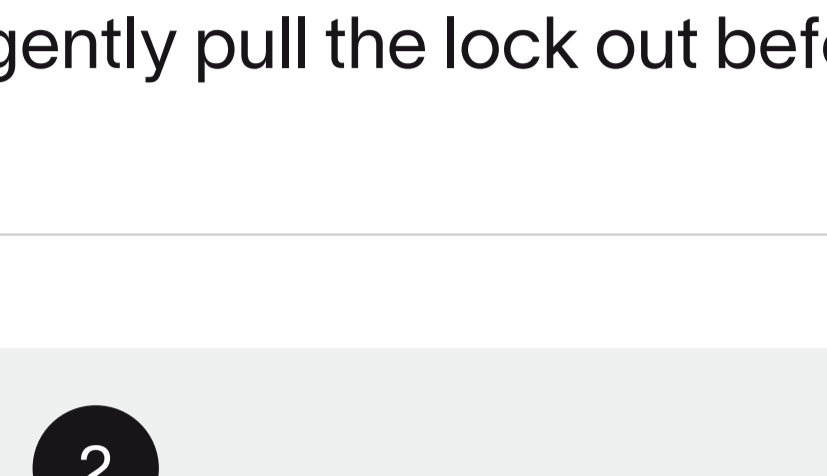
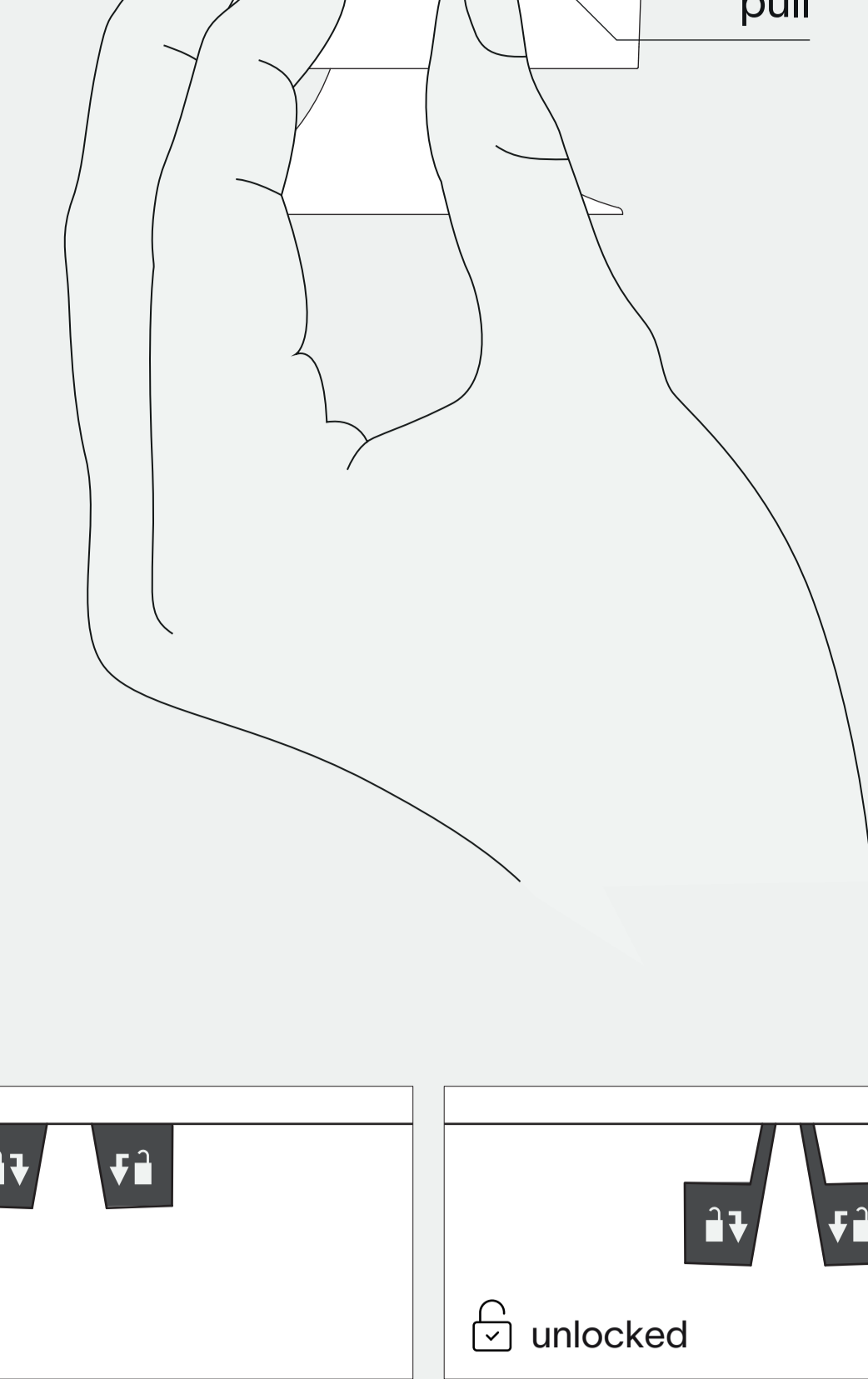


pradovent Ø108

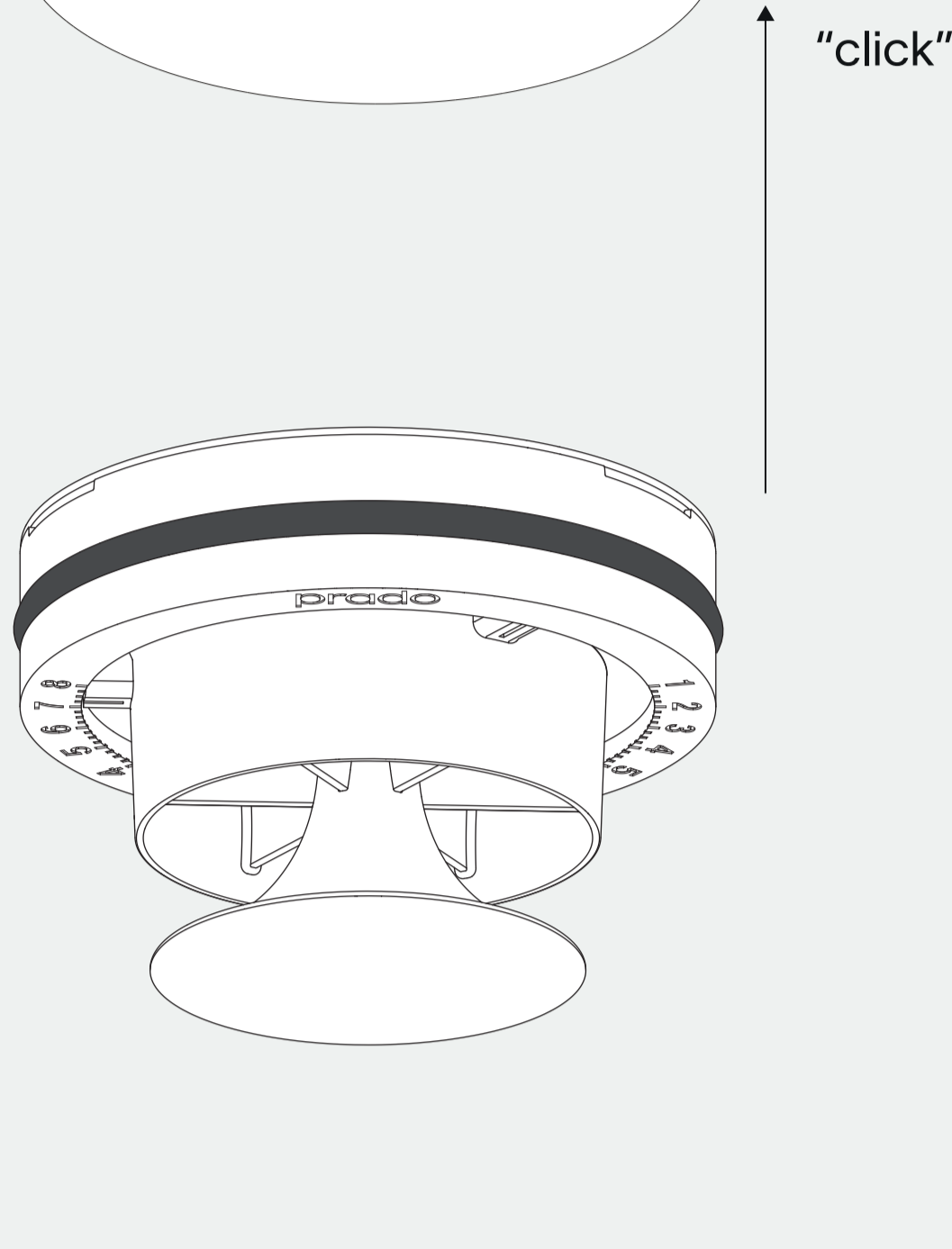
installation instruction

1



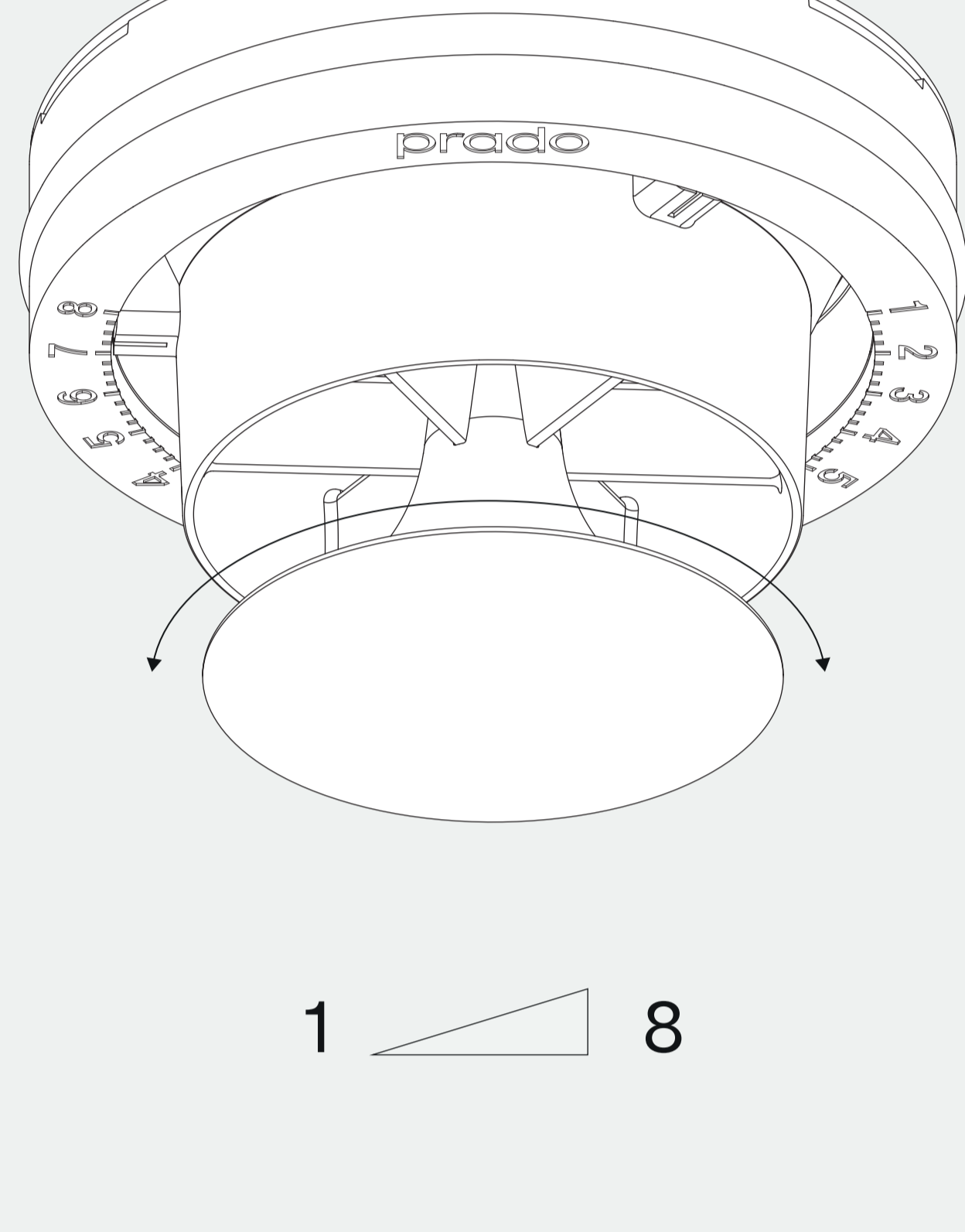
gently pull the lock out before adjusting the air flow

2



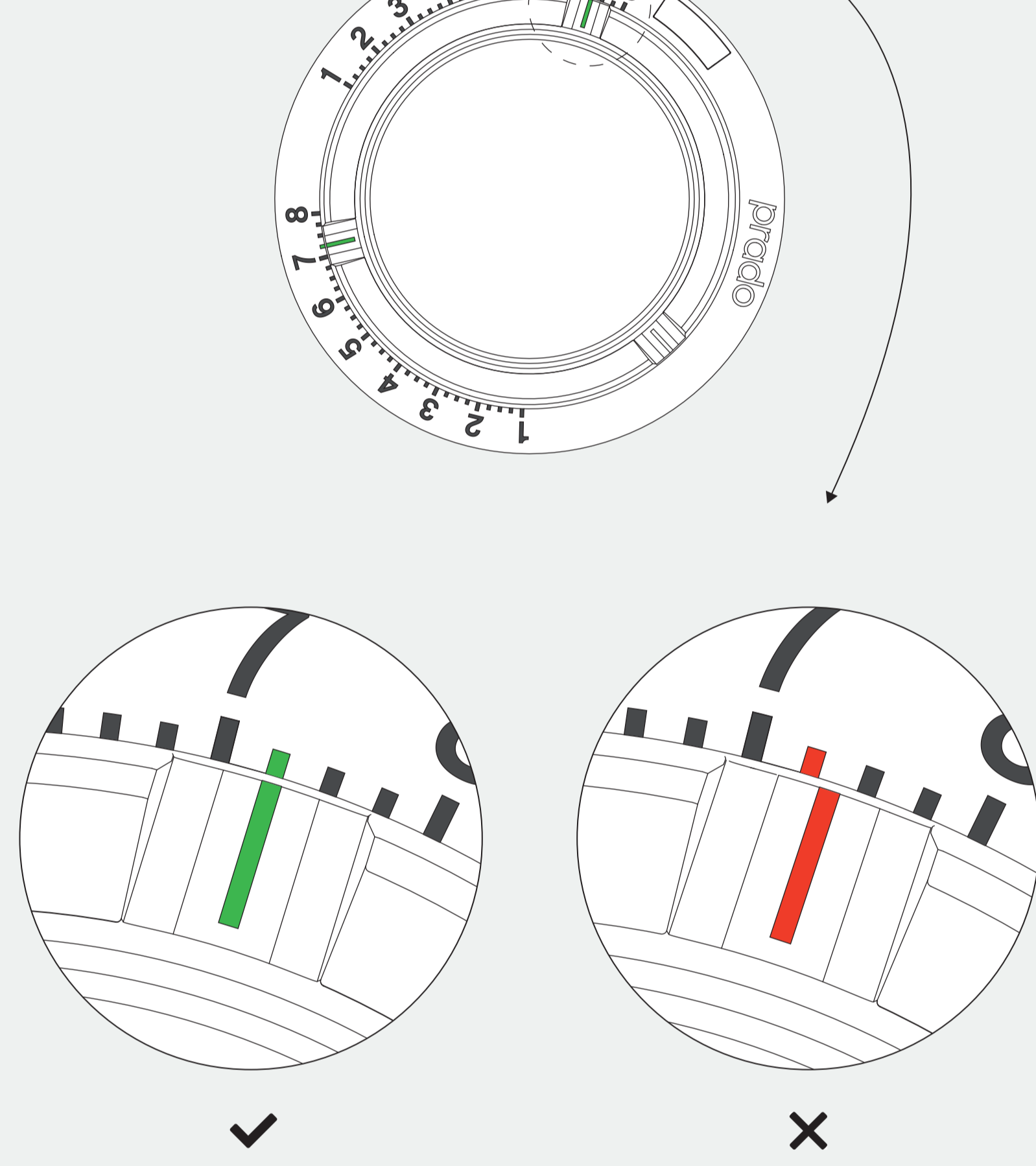
insert the valve into the installation ring until it "clicks"

3



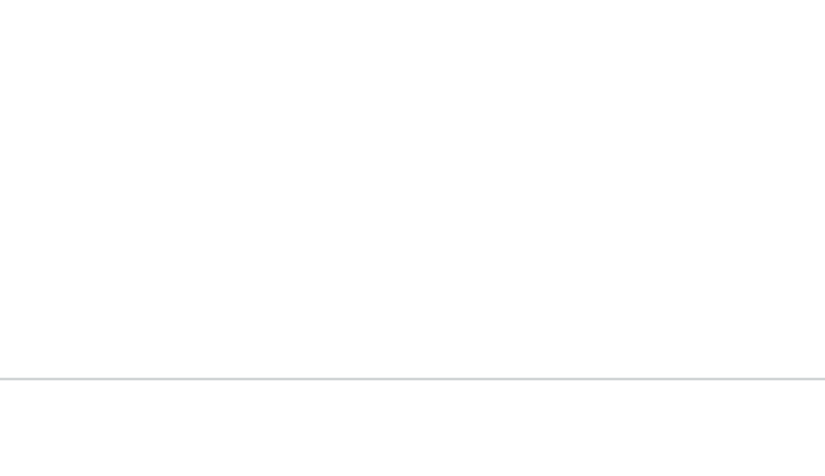
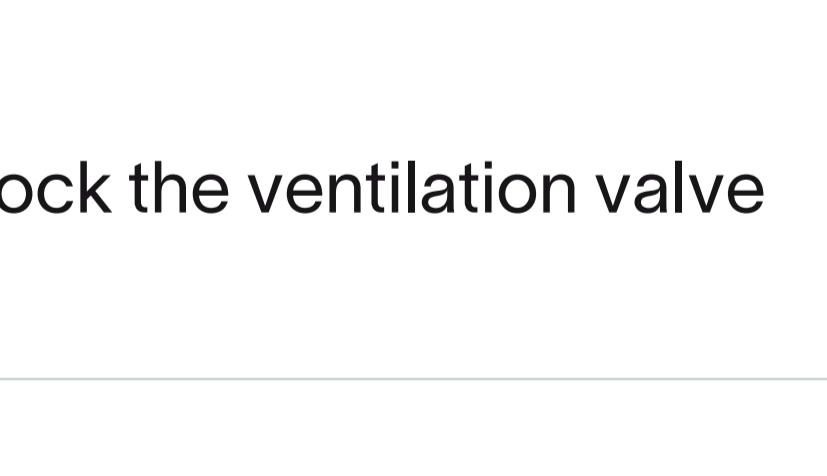
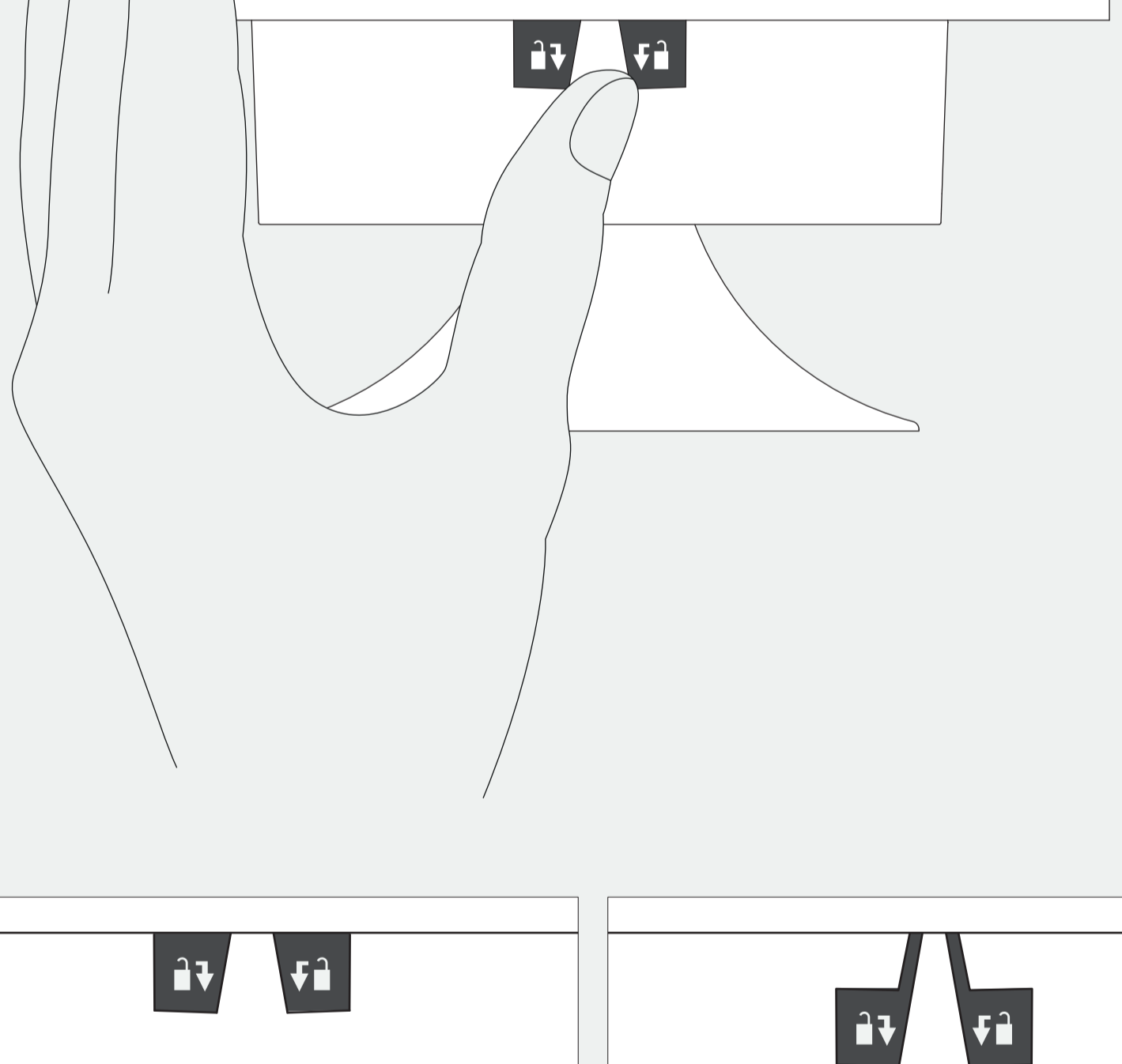
twist the luminaire to adjust the ventilation flow level

4



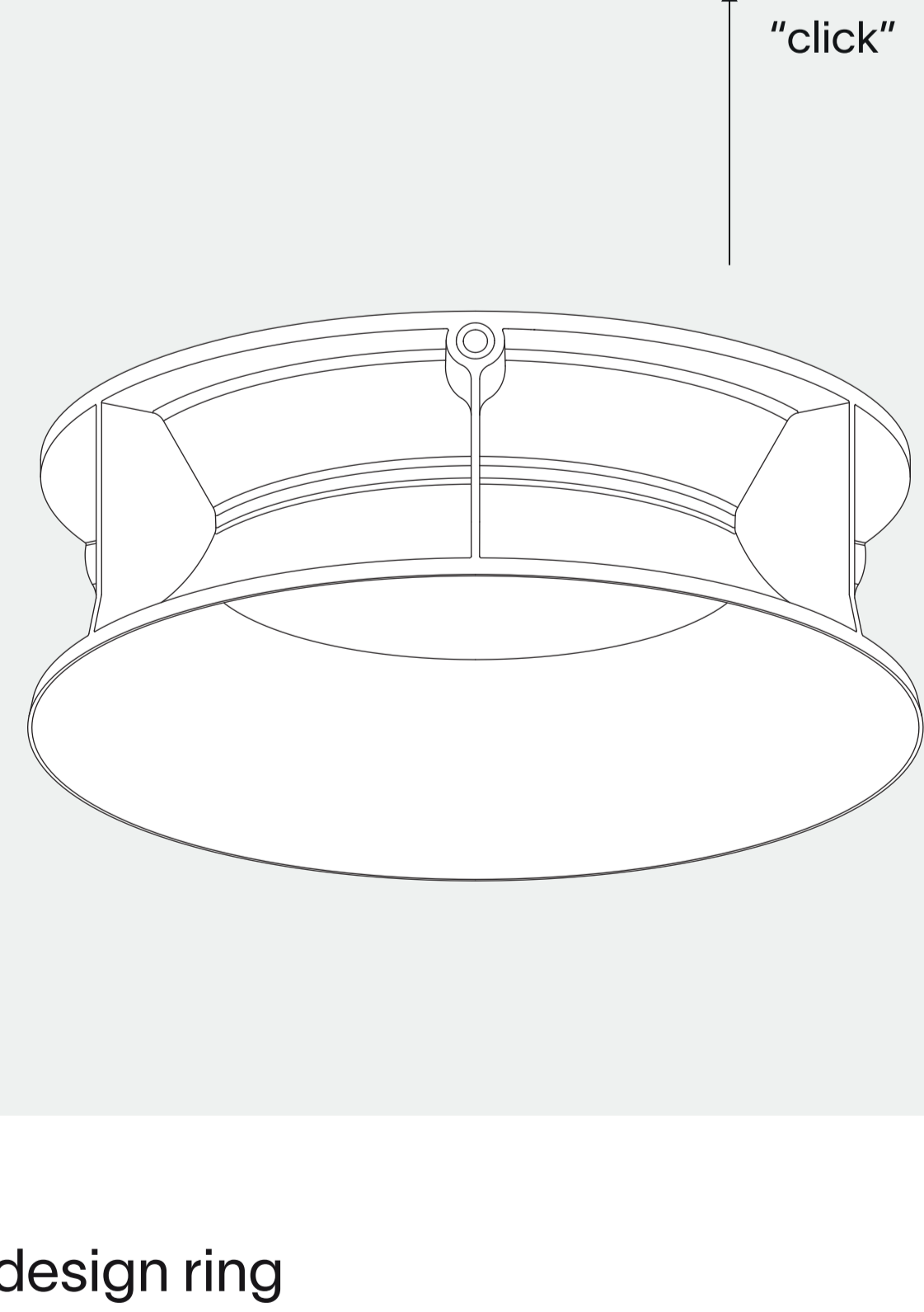
Make sure that the lines are aligned and that the valve is not in a position in between 2 different steps before locking the ventilation valve. if it isn't clearly visible, remove the valve from the plaster ring for locking.

5



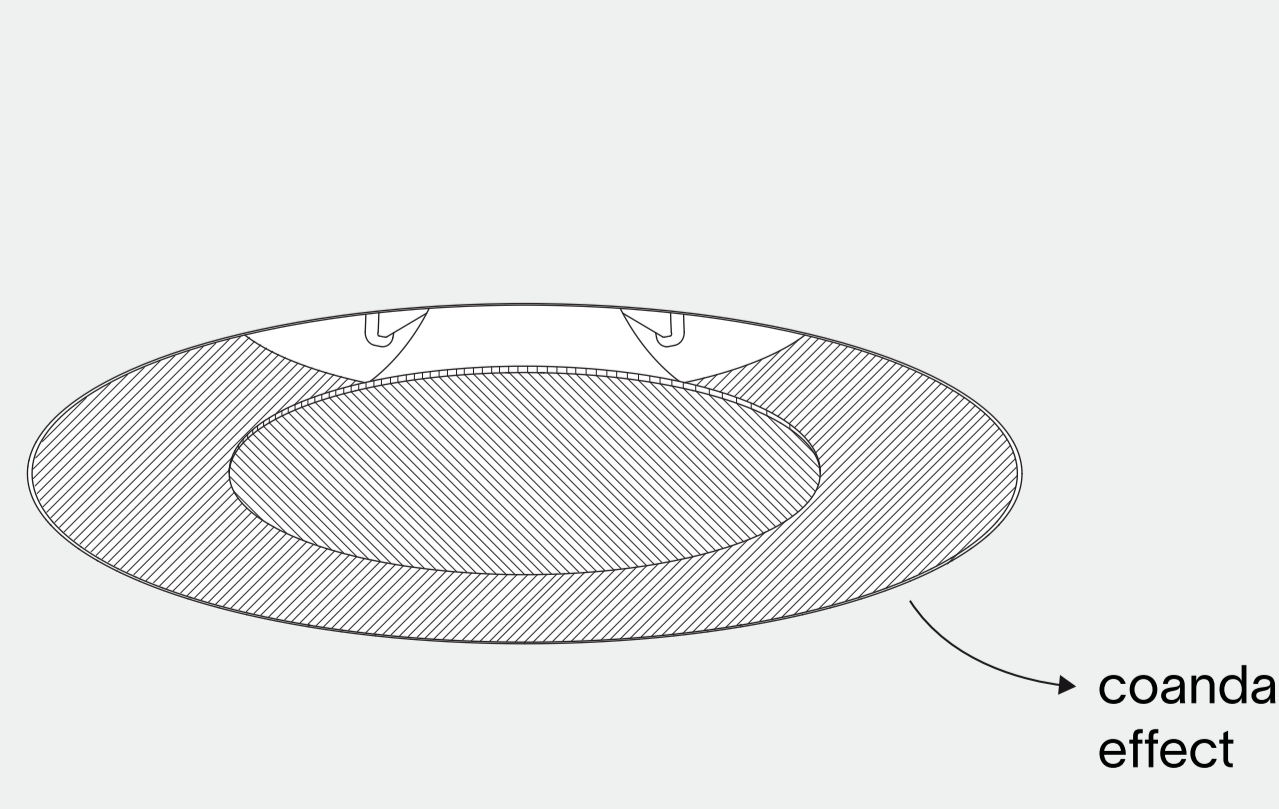
lock the ventilation valve

6



insert the design ring

7



paintable with synthetic primer

Maintenance: clean and replace the filters of your ventilation system regularly to keep your ceiling clean. thank you for choosing prado